

BLADDER TANK PROPORTIONING SYSTEM PRE-PIPED



TECHNICAL DATA

TANK MOUNTING TYPE	Vertical or Horizontal
CONCENTRATE STORAGE CAPACITY	For Vertical Tank 140 liters to 7500 liters (36 TO 2000 Gallon (US)) For Horizontal Tank 140 liters to 15000 liters (36 to 4000 Gallon (US))
MAXIMUM WORKING PRESSURE	12 Bar (175PSI)
FACTORY HYDRO TEST PRESSURE	As per ASME code
VESSEL CONSTRUCTION	Carbon Steel as per ASME Code Section VIII Div 1, for unfired pressure vessels
CE Mark	Optional
ASME "U" STAMP	Optional
BLADDER	Buna-N
EXTERNAL PIPING	Water side: Carbon Steel seamless pipe sch 40 Foam concentrate side: Stainless Steel sch 40
RATIO CONTROLLER	Wafer type with Stainless Steel 304/CF8 standard supply Optional: Stainless Steel 316/CF8M or Bronze Optional - Flanged Type
VENT AND DRAIN	Ball valve
APPROVALS	UL-Listed or FM Approved
OPTIONAL SUPPLY	Refer to page 3
FINISH	Red RAL 3001
ORDERING INFORMATION	Specify: 1) Tank type, vertical or horizontal 2) Storage capacity 3) Model number, size of ratio controller with flow and pressure 4) Type of foam concentrate to be used and percentage of induction required 5) Optional items 6) UL or FM Approval Requirement



APPLICATION

The Bladder Tank Foam Proportioning System utilises water pressure to inject foam concentrate into water supply and automatically proportions foam concentrate over wide range of flow and pressure, with very low pressure drop. This system does not require a foam concentrate supply pump.

SPECIFICATION

The Bladder Tank Foam Proportioning Systems are available with vertical and horizontal bladder tanks. The carbon steel tanks are designed and constructed in accordance with ASME Code Section VIII Div.1 for unfired pressure vessels.

The maximum working pressure is 12 Bar (175 PSI). The vertical tank assembly is supported by legs welded to tank with provision for anchoring. The horizontal tanks are supported by two saddles welded to the tank and drilled for anchoring. Tank is provided with lifting lugs.

The system is supplied with pressure vessel, bladder, fill and drain valve for water and foam concentrate, ratio controller and vent valve. Ladder and sight gauge assembly are supplied as optional items on request.

All valves are labeled showing normal working position and function.

All tanks are oversized for allowing thermal expansion of the foam concentrate, if any.

PRINCIPLE OF OPERATION

The instructions for filling are provided with the equipment. Once the main water flow is established and water inlet and foam outlet valves are opened, the water enters the area between vessel wall and bladder, applying pressure to the bladder. The foam concentrate is forced out of the bladder through the foam concentrate outlet pipe and into the ratio controller through metering orifice. The concentrate pressure and water inlet pressure at ratio controller will be same, as the main water supply pressure is utilised to expel the foam from the bladder. The water flowing through the ratio controller jet creates a low pressure area common both to down stream water and foam concentrate. This injects the concentrate in to the ratio controller through an accurate sized orifice proportioned to water venturi. This ensures correct proportioning over a wide range of flow condition.

The bladder tank proportioning system operates on same principle as that of a balance pressure proportioning system. In bladder system, the bladder is used as diaphragm to separate the water and foam concentrate within the tank. The foam concentrate is injected into the ratio controller utilising water pressure.

The system is also supplied with foam concentrate control valve as an optional item. The valve allows concentrate flow only when minimum of 2.1 kg/sq.cm. water pressure is established in the system. For pressure drop and flow characteristics refer catalogue of ratio controller.

HD FIRE Bladder tanks and proportioners are UL Listed and FM Approved with various HD foam concentrates, refer individual listing and approval data.

"U" stamp (American Society & Mechanical Engineers ASME) code stamp. This ASME certification is optional.

Bladder tanks 900 Liters and larger are CE marked on conformance with the European Pressure Equipment Directives. CE marking is optional.

SELECTION OF HORIZONTAL / VERTICAL BLADDER TANKS

Advantages of Horizontal bladder tanks

- (i) Better stability than vertical tank in earthquake prone area
- (ii) Easier to refill than vertical tanks
- (iii) Easy to transport, store and install
- (iv) Large Capacity

Advantages of Vertical bladder tanks

- (i) Require less floor space than horizontal tanks

INSTALLATION, INSPECTION AND MAINTENANCE

An installation, inspection and maintenance manual is packed with each unit. The manual provides detail schematic, initial procedure, inspection and maintenance procedures. The instruction manual must be read carefully and followed during installation and commissioning of the system.

After few initial successful tests an authorised person must be trained to perform inspection and testing of the system. It is recommended to carry out physical inspection of the system regularly, the inspection should verify that no damages have taken place to any component and all the valves are in their proper position as per the system requirement. The system should be fully tested at least once in a year and in accordance with applicable NFPA code or in accordance to the guidelines of the organisation having local jurisdiction.

Do not turn off the system or any valve to repair or test the system, without placing a roving Fire Patrol in the area covered by the system. The patrol should continue until the system is put back in service. Also inform the local security personnel and the control room so that a false alarm is not signalled.

CAUTION

- 1) Do not weld on the tank as it may damage the bladder fitted inside the tank.
- 2) Release pressure before an inspection and maintenance of the system.
- 3) Sight gauge is not pressure tight, so before taking concentrate level reading, tank pressure must be released.
- 4) The bladder tank is to be installed under a shade to avoid direct sunlight on the equipment.
- 5) While designing a foam system, step shall be taken to allow for removal of the internal centre tube(s). The centre tubes are full length and/or height of the bladder tank.
- 6) ASME Code may require over pressure protection before pressurising the system. HD FIRE does not supply an over pressure relief valve with the tanks. It shall be the owner's responsibility to provide over pressure protection for the tank in accordance to ASME Code.
- 7) Foam concentrate filling procedure must be followed. Incorrect filling procedure may damage the bladder. HD product have limited warranty and incorrect fill procedure will void the warranty.

NOTE

- 1) The foam concentrate is to be filled in the bladder very carefully to avoid rupture of bladder. The filling guidelines provided with the equipment must be strictly adhered.
- 2) Air supply with regulator (0 to 1.0 kg/sqcm) required during filling procedure, to be arranged by installer / user.
- 3) Water supply at 0-1.5 kg/sqcm required for tank filling during commissioning, to be arranged by installer / user.
- 4) Concentrate fill pump need to be arranged by installer / user.
- 5) A minimum length of 5 (five) times the pipe diameter of unobstructed straight pipeline should be provided at the inlet and outlet of the ratio controller, where pipe diameter is the nominal size of the ratio controller.
- 6) For FM Approval of Bladder tank is applicable only if FM Approved Bladder tank, Ratio Controller, Foam Concentrate and Discharge Device are installed.
- 7) Concentrate control valve is requirement for FM Approval and is not permitted by UL. Hence Tanks will be either UL Listed or FM Approved.
- 8) Multiple Ratio Proportioners cannot be used if it is UL Listed Bladder tank.
- 9) FM Approved Bladder tank permits maximum two Ratio Controllers.
- 10) Each tank is designed & tested for specific type of foam concentrate, hence specify in order the concentrate type to be used.

OPTIONAL SUPPLY

- Sight gauge with shut off and drain valve (glass or polycarbonate material)
- Ladder
- Pressure Guages
- Concentrate control valve
- Filling kit with Foam concentrate fitting pump
- Stainless steel pipe for water supply side
- Stainless steel pipe & valve standard supply SS304/CF8. Optional is SS316/CF8M or SS316L
- Painting as per specific requirement
- Seismic designed tanks

- Custom design for higher rating, material and dimension
- Internal surface is epoxy painted as standard supply, or any other paint as per customer requirement
- Ratio controller material Bronze, Stainless steel CF8, CF8M
- Relief valve is not included in standard supply it is optional as per specific customer requirement
- Corroation allowance.

RELIEF VALVE (OPTIONAL SUPPLY)

- (i) Thermal Relief valve
- (ii) Full flow, as per ASME
- (iii) Full flow, ASME "U" Stamped

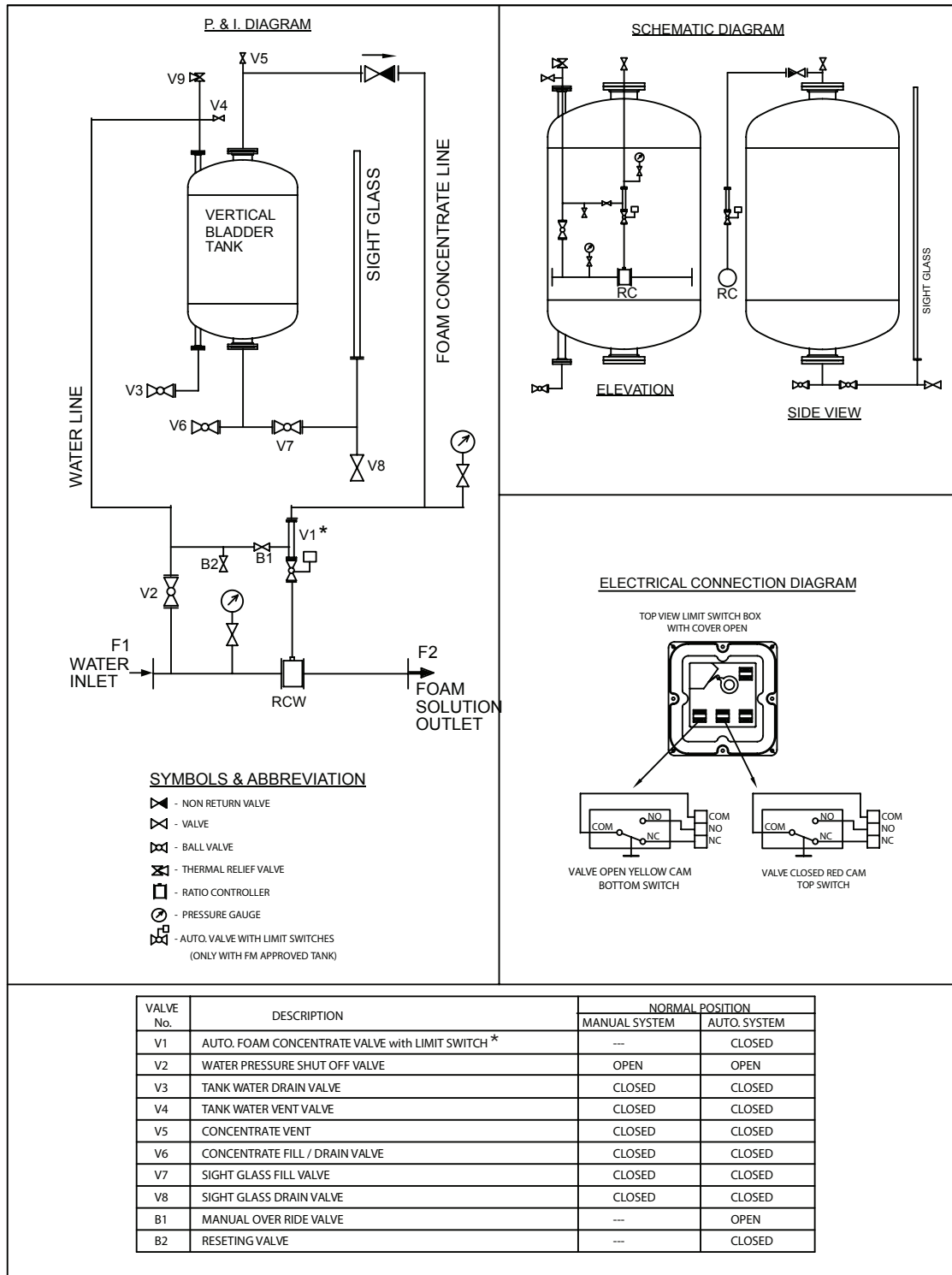
LISTING & APPROVAL

- 1) Bladder tank proportioning system is UL Listed or FM Approved as pre-piped system.
- 2) Listing and Approval is valid only when used in the manner as outlined in the applicable Listing and Approval.
- 3) Concentrate supply valve is standard supply with FM Approved Bladder tank.
- 4) CE marking is optional.
- 5) ASME "U" stamp is optional.

SHIPPING DETAILS

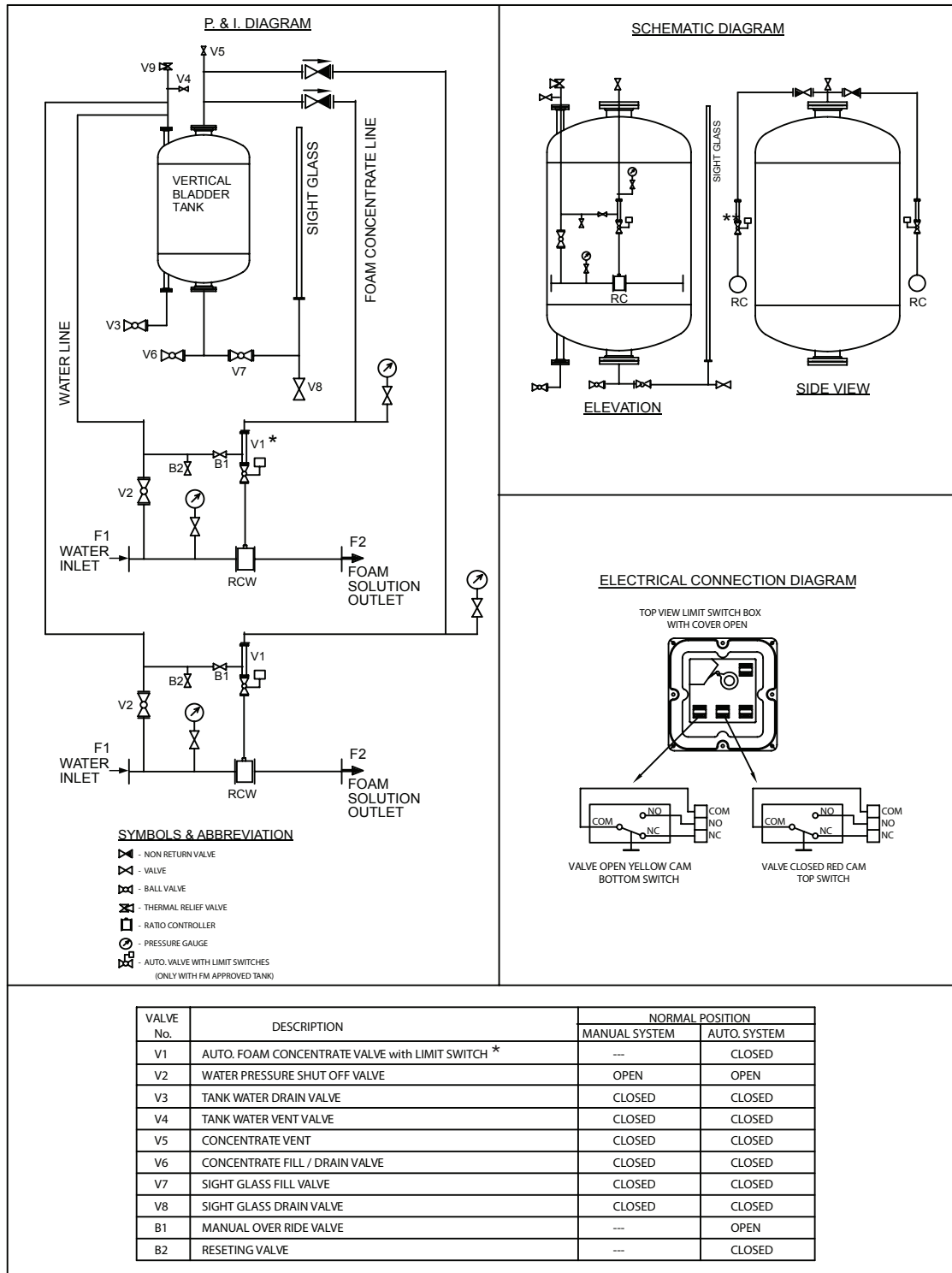
- i) All the tank openings will be plugged for shipping.
- ii) All pre-piped pipes, valves, pressure gauges, sight gauge etc will be packed separately for shipping.
- iii) Tank will be mounted on pallet with crate all over as standard packing system of HD FIRE. For any custom packing requirement contact HD Sales.

VERTICAL BLADDER TANK WITH SINGLE RATIO CONTROLLER WITH UL OR FM APPROVAL



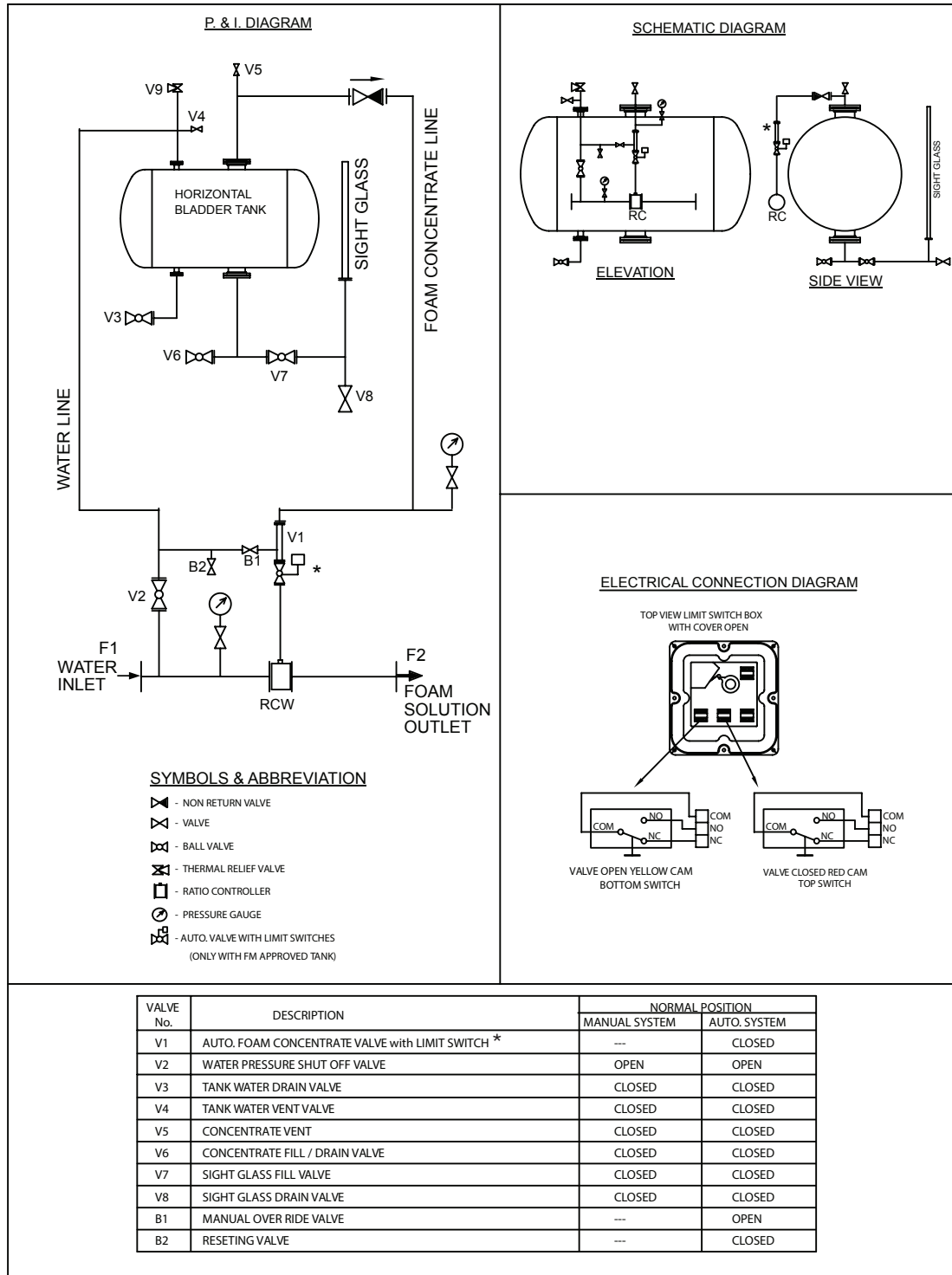
* Concentrate control valve is standard supply with FM Approved Bladder tank and not supplied with UL Listed as UL do not allow Concentrate control valve.

VERTICAL BLADDER TANK WITH TWO RATIO CONTROLLER WITH ONLY FM APPROVAL



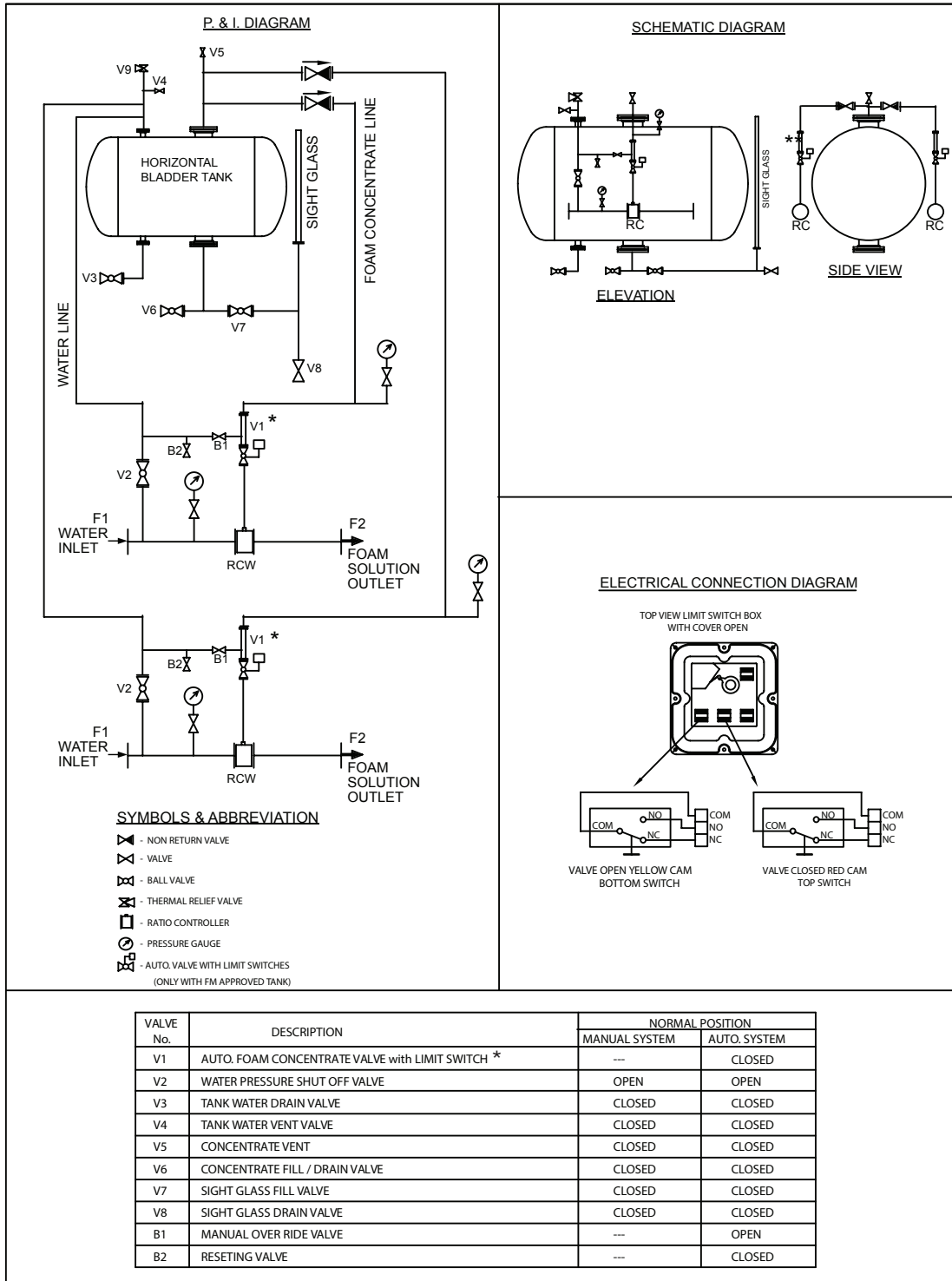
* Concentrate control valve is standard supply with FM Approved Bladder tank and not supplied with UL Listed as UL do not allow Concentrate control valve.

HORIZONTAL BLADDER TANK WITH SINGLE RATIO CONTROLLER WITH UL OR FM APPROVAL



* V1 is standard supply with FM Approval and not supplied with UL Listed as UL do not allow Concentrate control valve.

HORIZONTAL BLADDER TANK WITH TWO RATIO CONTROLLER WITH ONLY FM APPROVAL



* V1 is standard supply with FM Approval and not supplied with UL Listed as UL do not allow Concentrate control valve.

LIMITED WARRANTY

HD FIRE PROTECT PVT. LTD. hereby referred to as HD FIRE warrants to the original purchaser of the fire protection products manufactured by HD FIRE and to any other person to whom such equipment is transferred, that such products will be free from defect in material and workmanship under normal use and care, for two (2) years from the date of shipment by HD FIRE. Products or Components supplied or used by HD FIRE, but manufactured by others, are warranted only to the extent of the manufacturer's warranty. No warranty is given for product or components which have been subject to misuse, improper installation, corrosion, unauthorized repair, alteration or un-maintained. HD FIRE shall not be responsible for system design errors or improper installation or inaccurate or incomplete information supplied by buyer or buyer's representatives. HD FIRE will repair or replace defective material free of charge, which is returned to our factory, transportation charge prepaid, provided after our inspection the material is found to have been defective at the time of initial shipment from our works. HD FIRE shall not be liable for any incidental or consequential loss, damage or expense arising directly or indirectly from the use of the product including damages for injury to person, damages to property and penalties resulting from any products and components manufactured by HD FIRE. HD FIRE shall not be liable for any damages or labour charges or expense in making repair or adjustment to the product. HD FIRE shall not be liable for any damages or charges sustained in the adaptation or use of its engineering data & services. In no event shall HD Fire's product liability exceed an amount equal to the sale price. The foregoing warranty is exclusive and in lieu of all other warranties and representation whether expressed, implied, oral or written, including but not limited to, any implied warranties or merchantability or fitness for a particular purpose. All such other warranties and representations are hereby cancelled.

NOTICE :

The equipment presented in this bulletin is to be installed in accordance with the latest publication standards of NFPA or other similar organisations and also with the provision of government codes or ordinances wherever applicable.

The information provided by us is to the best of our knowledge and belief, and consist of general guidelines only. Site handling and installation control is not in our scope. Hence we give no guarantee for result and take no liability for damages, loss or penalties whatsoever, resulting from our suggestion, information, recommendation or damages due to our product.

Product development is a continuous programme of HD FIRE PROTECT PVT. LTD. and hence the right to modify any specification without prior notice is reserved with the company.



HD FIRE PROTECT PVT. LTD.
Protecting What Matters Most to You

D-6/2, ROAD NO. 34, WAGLE INDUSTRIAL ESTATE, THANE 400 604, INDIA.

• TEL: + (91) 22 2158 2600 • FAX: +(91) 22 2158 2602
• EMAIL: info@hdfire.com • WEB: www.hdfire.com