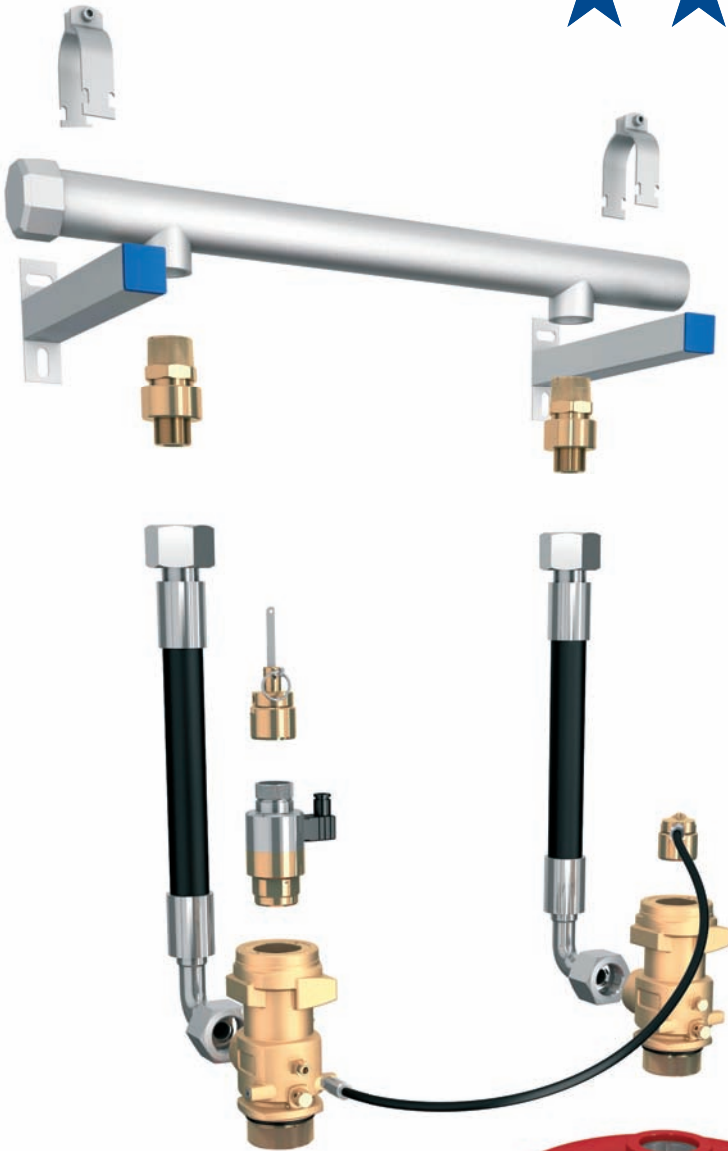




ROTAREX
FIRETEC



CLEAN AGENT
EQUIPMENT FOR CLEAN AGENT
FIRE SUPPRESSION SYSTEMS

TABLE OF CONTENTS

A COMPLETE COMPONENT SOLUTION	P.004
PRODUCT RANGE OVERVIEW	P.006
TECHNOLOGY OVERVIEW	P.008
- Valve Technologies	P.008
- DIMES system	P.010
SERIES B0480 VALVES & ACTUATORS	P.012
- Series B0481 valve	P.012
- Series B0482 valve	P.013
- Series B0480 valve	P.014
- Manual & pneumatic actuators	P.015
- Electromagnetic actuators	P.015
- Actuator accessories	P.016
- DIMES system	P.017
- Pressure gauges	P.018
- Pilot hoses	P.019
DISCHARGE HOSES, NOZZLES & ACCESSORIES	P.020
- Discharge hoses	P.020
- Check valves	P.020
- Pressure & flow detector	P.021
- Nozzles	P.021
SPECIAL APPLICATIONS	P.022
- Series B0439 cylinder / valve assemblies	P.022
- Series B0439 valves	P.023

Rotarex Firetec system components are approved and certified compliant with recognized international norms. Certifications relate to individual products, and are clearly indicated on each respective product page.

In addition, all Rotarex manufacturing sites comply with ISO 9001 quality standards.



COMPONENTS FOR CLEAN AGENT SYSTEMS

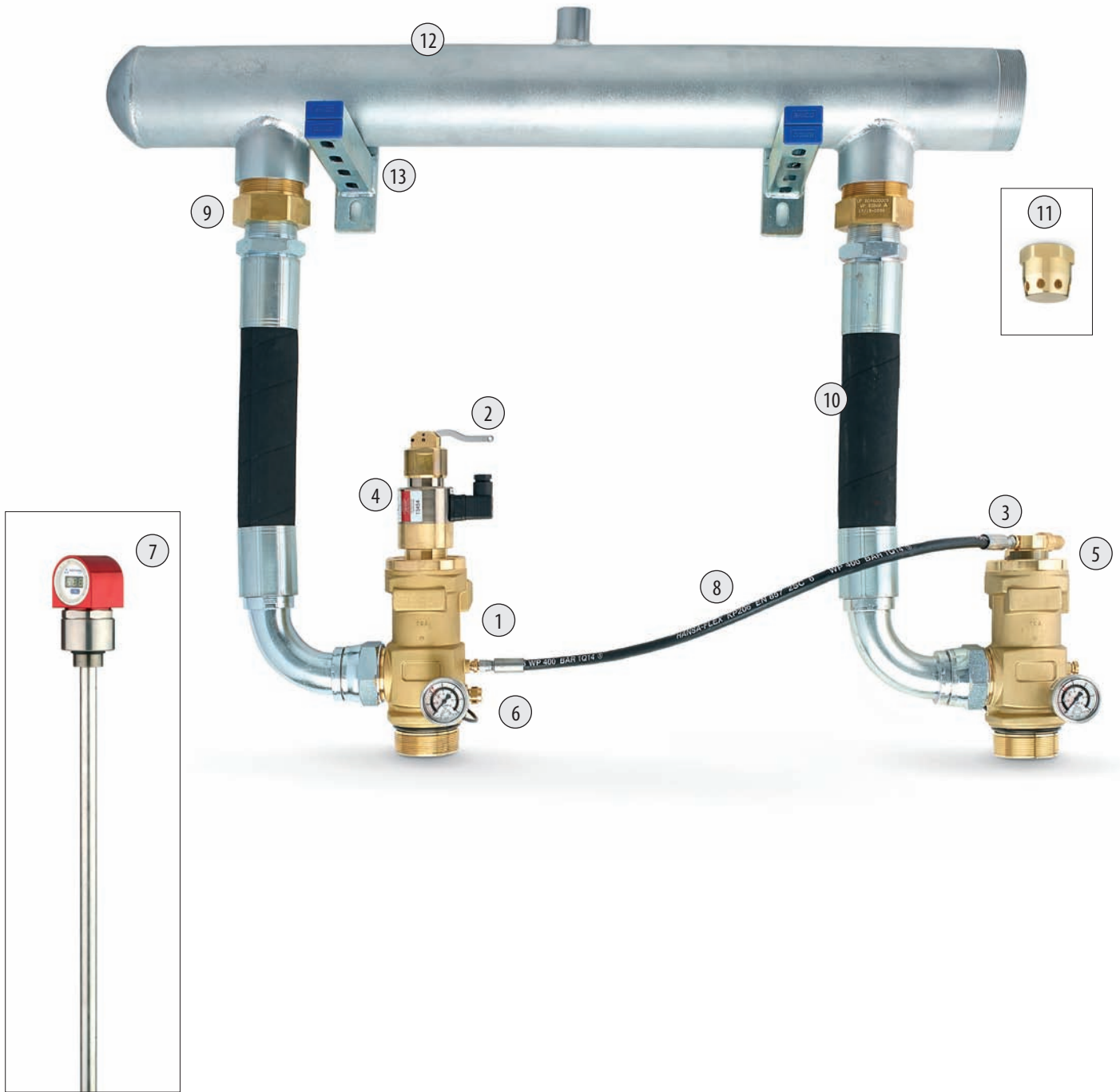
Rotarex offers components needed to configure clean agent fire suppression system.

- **Components entirely compatible and interchangeable**
- **Easier and faster installation - No “bad surprises”**
- **System pre-tested and qualified**
- **Everything to the same high-specification**
- **Greater confidence in performance at the critical time**
- **Full warranty protection**
- **Simplicity of a single supplier**

Rotarex makes it easy for system engineers and installers to configure fixed suppression systems—choosing only select components—or using the entire system

For maximum ease and certainty of performance, specify Rotarex components to configure the entire system.

A complete component solution		
1	Valve	Page 12
2	Manual release device	Page 15
3	Pneumatic release device	Page 15
4	Electromagnetic release device	Page 15
5	Bleed valve	Page 16
6	Pressure Gauge with pressure switch	Page 18
7	Dimes sensor	Page 17
8	Pilot hose	Page 19
9	Check valve	Page 20
10	Discharge hose	Page 20
11	Nozzle	Page 21
12	Manifold	Available soon
13	Bracket for manifold	Available soon



SERIES B048 VALVES, ACTUATORS AND ACCESSORIES



SERIES B0481 P. 012
Ø49mm valve for clean agent systems



SERIES B0482 P. 013
Ø33 mm valve for clean agent systems



SERIES B0480 P. 014
Ø12 mm valve



MANUAL RELEASE P. 015



MANUAL/PNEUMATIC RELEASE P. 015



PNEUMATIC RELEASE P. 015



ELECTROMAGNETIC RELEASE P. 015



BLEED VALVE P. 016

Coming in 2016!



DIMES SYSTEM P. 017



PRESSURE GAUGES P. 018



PILOT HOSE P. 019

DISCHARGE HOSES, NOZZLES & ACCESSORIES



DISCHARGE HOSES P. 020



CHECK VALVES P. 020



PRESSURE & FLOW DETECTOR SWITCH P. 021



NOZZLES P. 021

SPECIAL APPLICATIONS



VALVES AND ASSEMBLIES FOR PILOT CYLINDERS P. 022

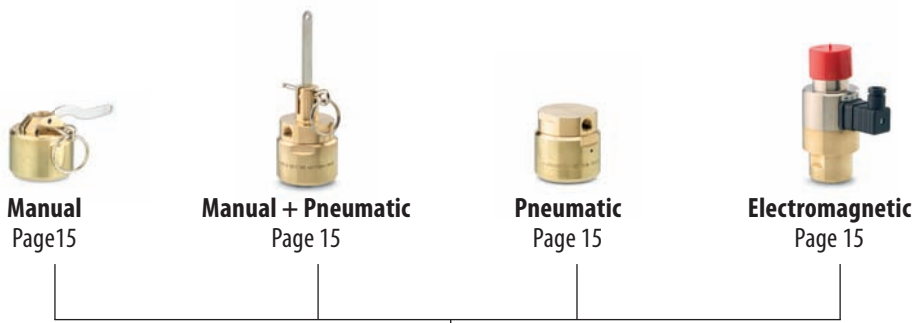
VALVE TECHNOLOGIES

ROTAREX: THE VALVE EXPERT

Rotarex is the world leader in high-performance cylinder valves for fixed extinguishing systems as well as Ultra High Purity, Medical, Cryogenic, Automotive and LPG applications. They leverage 90-year expertise, vast R&D infrastructure and global scale to provide the most technically advanced and dependable fire suppression valves in the market. Trust Rotarex valves to perform when it most counts.

SERIES B048

Large-orifice clean agent valves with flexibility of actuation methods
For all Clean Agent installations



Can be used with a range of different actuators



SERIES B0481
Ø49 mm ORIFICE



B0482
Ø33 mm ORIFICE



B0480
Ø12 mm ORIFICE

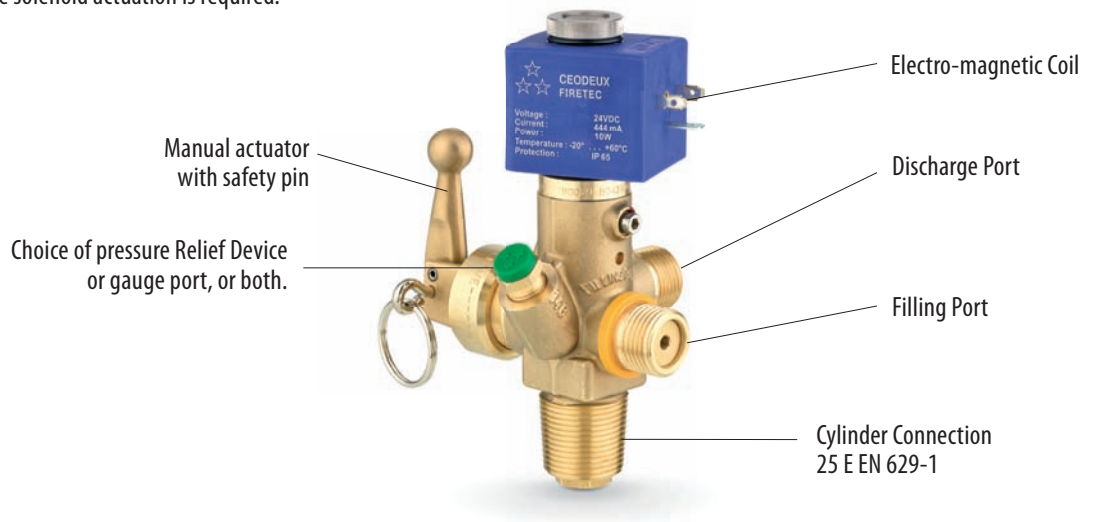
SPECIFICATIONS

Working pressure	25 to 50 bar	Temperature range	-20°C to +60°C	Burst disc pressure	Choice of 50 bar or 78 bar. Others on request.
Valve body	Brass				

VALVE TECHNOLOGIES (continued)

SERIES B0439

200 bar valve with Fixed and Solenoid Actuation for use in 25-50 bar clean agent applications. Can be used as a pilot cylinder valve or for smaller, single cylinder installations where solenoid actuation is required.



Specifications

Max pressure	200 bar	Seat orifice size	7 mm	Operating voltage	24 VDC
Working pressure	25 - 50 bar	Temperature range	-20°C to +60°C	Power consumption	10 watt
Valve body	Brass	Burst disc pressure	Must be adapted to the working pressure		

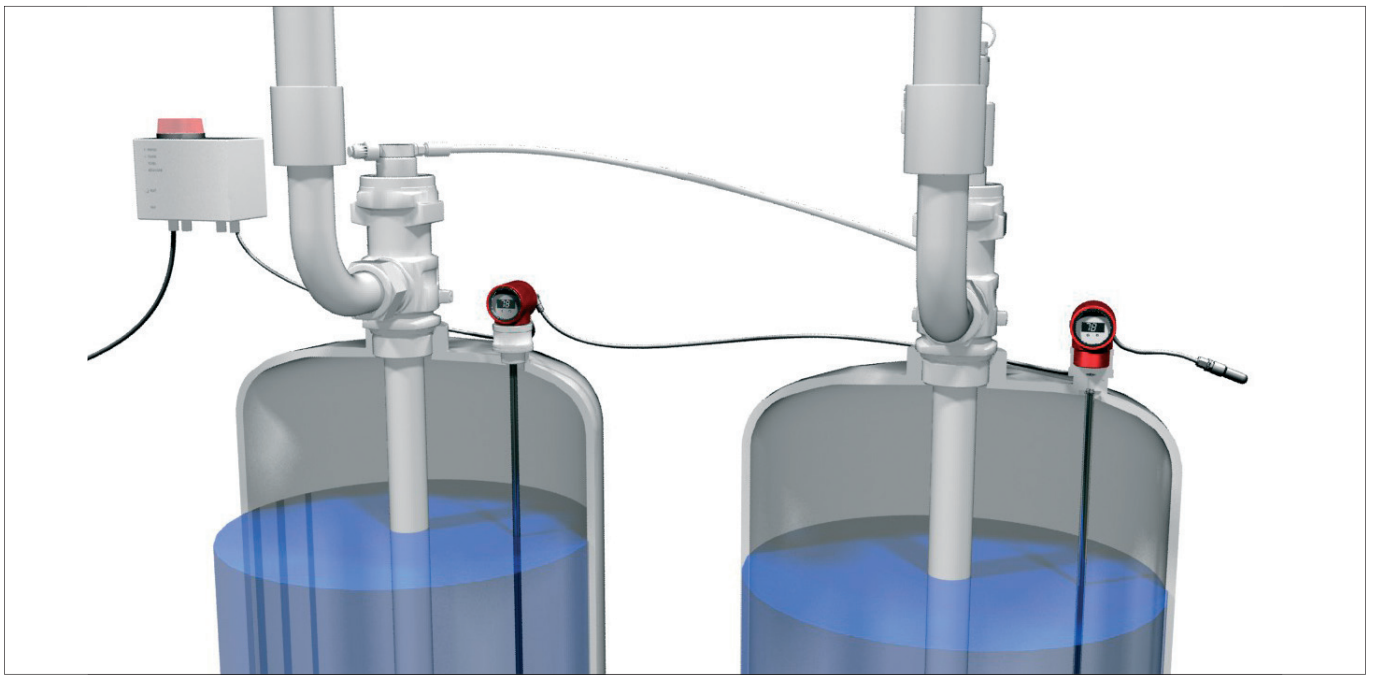


IMPROVE SAFETY AND CERTAINTY WITH THE DIMES DIGITAL MEASUREMENT SYSTEM FOR CLEAN AGENTS.

- Digitally measures cylinder contents to determine the level of wet chemical agent in the cylinder.
- Continually monitors and confirms that the system is fully charged and ready
- Pro actively sends a warning signal in case of a pressure drop such as a leak or system discharge
- Connects to any alarm or control box
- Can actuate other electronic functions such as cutting electricity or closing ventilation. No need for additional pressure switches.



HOW IT WORKS



The DIMES Sensor unit is placed in a special port on the Clean Agent cylinder. The dip-tube electrode extends all the way to the bottom of the cylinder.

Built-in sensors continually monitor ambient temperature and the capacitance differential of the gas density between two continuous electrodes in the dip-tube.

An integrated processor calculates the exact cylinder contents using the algorithm of the known relationship between pressure and temperature in inert gas mixtures.

The system can be programmed to send a warning alarm when the pressure drops below a level that you determine – such as in the event of a leak or when the system discharges.

DIMES – DIGITAL MEASUREMENT SYSTEM

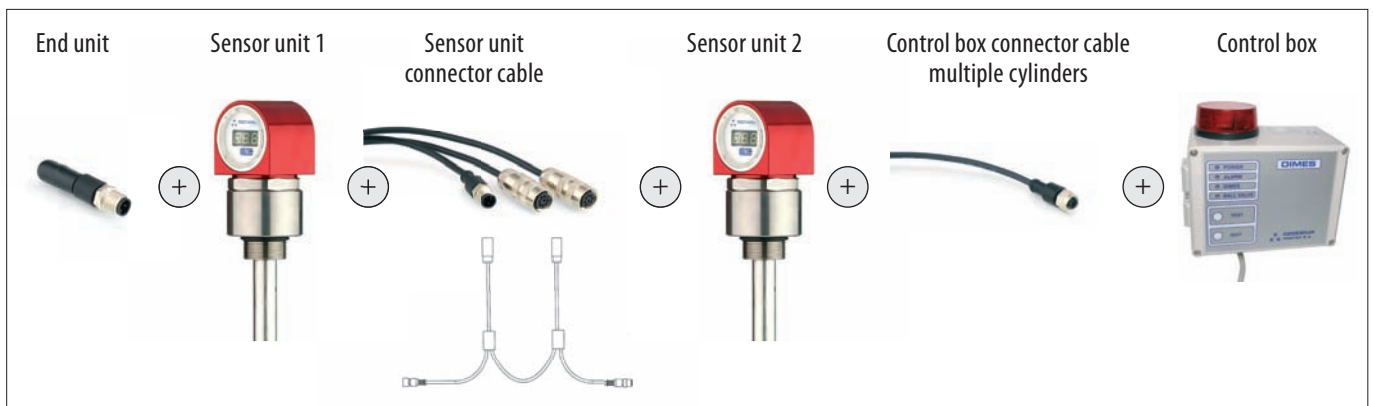
FLEXIBLE CONFIGURATION OPTIONS

DIMES sensor units are available in single and multi-connection versions – connecting either a single cylinder or multiple cylinders in series.

SINGLE CYLINDER

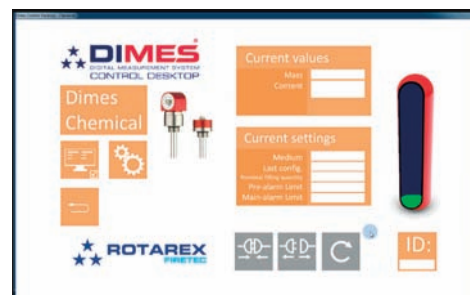


MULTIPLE CYLINDERS



MONITORING SOFTWARE + DATA TRANSMISSION INTERFACE:

Data can be sent to a special control box or computer for monitoring via the data interface cable



Optional cable available to connect with computer (USB)

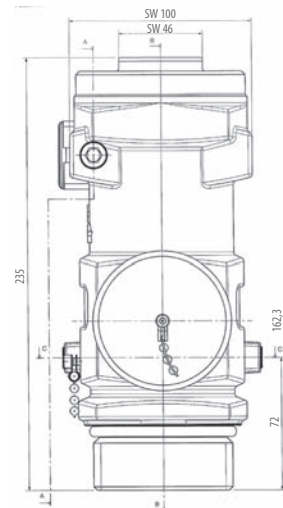
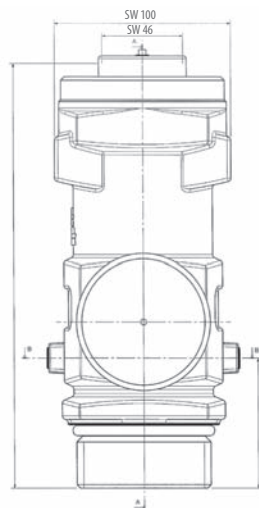
SERIES B0481 VALVES - Ø49 mm ORIFICE

Large orifice (49 mm) valve for Clean Agent fire suppression systems.



KEY FEATURES

- Large 49 mm orifice for high flow and rapid discharge
- Available with or without solenoid
- Choose from a large range of manual, pneumatic and electronic actuators



	FM-200 or NOVEC			
	Without Solenoid		With Solenoid	
Product code	B04810124	B04810110	B04810119	B04810109
Discharge type	Total	Total	Total	Total
Working pressure	25 bar	42 bar	25 bar	42 bar
Orifice size	Ø 49 mm	Ø 49 mm	Ø 49 mm	Ø 49 mm
Inlet connection	3" male	3" male	3" male	3" male
Outlet Connection	2 1/2" male	2 1/2" male	2 1/2" male	2 1/2" male
Burst disc pressure	50 bar	78 bar	50 bar	78 bar
Valve Body	Brass	Brass	Brass	Brass

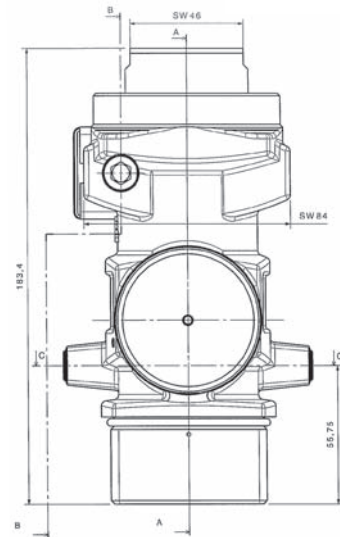
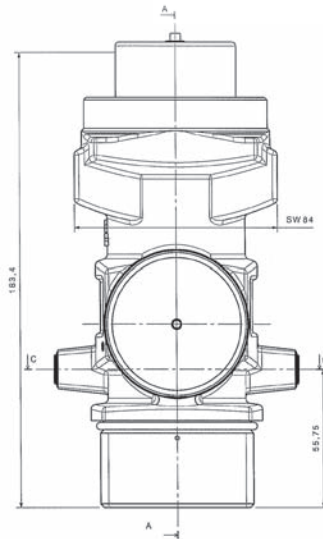
SERIES B0482 VALVES- Ø33 mm ORIFICE

Large orifice (33 mm) valve for Clean Agent fire suppression systems



KEY FEATURES

- Large 33 mm orifice for high flow and rapid discharge
- Available with or without solenoid
- Choose from a large range of manual, pneumatic and electronic actuators



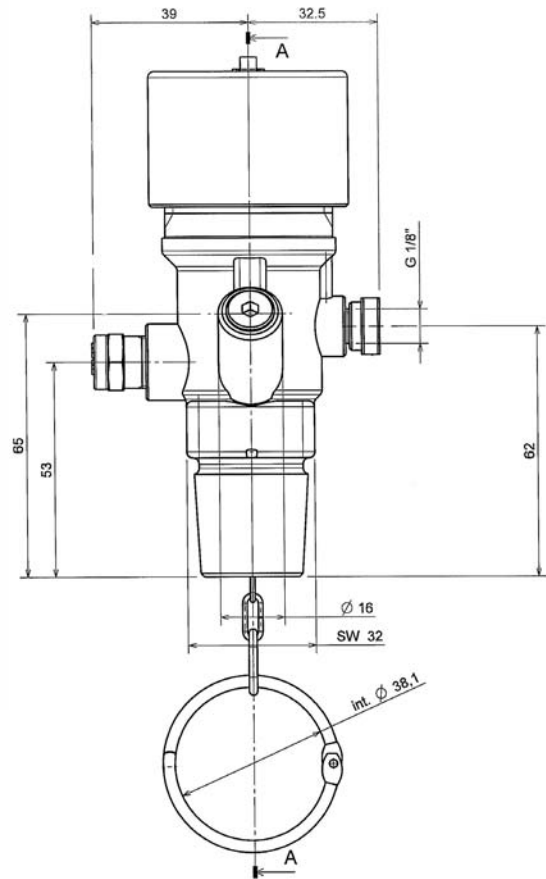
	FM-200 or NOVEC			
	Without Solenoid		With Solenoid	
Product code	B04820125	B04820129	B04820119	04820128
Discharge type	Total	Total	Total	Total
Working pressure	25 bar	42 bar	25 bar	42 bar
Orifice size	Ø 33 mm	Ø 33 mm	Ø 33 mm	Ø 33 mm
Inlet connection	2,5" male	2,5" male	2,5" male	2,5" male
Outlet Connection	1 7/8" male	1 7/8" male	1 7/8" male	1 7/8" male
Burst disc pressure	49 bar	78 bar	49 bar	78 bar
Valve Body	Brass	Brass	Brass	Brass

SERIES B0480 VALVES- Ø12 mm ORIFICE

Compact 12 mm valve
with flexibility of actuation
methods

KEY FEATURES

- Space/efficient 12mm valve with chain nut
- Requires an actuator device (see page 15)



Product code	B04803005
Discharge type	Total
Working pressure	42 bar
Orifice size	Ø 12 mm
Inlet connection	25E EN-629-1
Outlet connection	W21,8x1/14" DIN 477
Burst disc pressure	78 bar
Valve Body	Brass

RELEASE DEVICES

Devices to actuate the release of extinguishing agent

For use with Series B0481, B0482 and B0480 Valves



	Manual	Manual / Pneumatic		Pneumatic	
Product code	B04420100	B04420065	B04420116	B04420066	B04420076
Technology	single piston	single piston	double piston	single piston	double piston
Max. pressure	300 bar	300 bar	300 bar	300 bar	300 bar
Valve connection	M 42 x 1,5	M 42 x 1,5	M 42 x 1,5	M 42 x 1,5	M 42 x 1,5
Pneumatic connection	-	G1/8"	G1/8"	G1/8"	G1/8"
Actuation force / pressure	< 150 N	< 150 N / 20 bar	< 150 N / 10 bar	20 bar	10 bar
Body material	Brass	Brass	Brass	Brass	Brass
Height	54	136,5	156,5	50	71
Diameter	Ø50	Ø50	Ø50	Ø50	Ø50

ELECTROMAGNETIC RELEASE DEVICE

Device to electrically actuate the release of extinguishing agent.

For use with Series B0481, B0482 and B0480 Valves.

KEY FEATURES

- Most commonly used as a master valve to actuate the system electronically, such as with connection to a smoke or heat detection device
- Electronically actuates the release of extinguishing agent



WITH BLOCKING DEVICE.

To perform maintenance while under pressure



B04425131



B04425132



B04425109

B04425129

	With diode	Without diode	With diode	Without diode
Valve connection	M42 x 1,5	M42 x 1,5	M42 x 1,5	M42 x 1,5
Nominal voltage	24 VDC	24 VDC	24 VDC	24 VDC
Electrical connection	-	-	PG 9	PG 9
Nominal current	0,5 A	0,5 A	0,5 A	0,5 A
Protection Class	IP65	IP65	IP65	IP65
Height	135 mm	135 mm	135 mm	135 mm
Diameter	Ø 65 mm	Ø 65 mm	Ø 80 mm	Ø 80 mm

RESET TOOL FOR ELECTROMAGNETIC ACTUATOR

Used to reset the electromagnetic actuator piston when putting the system back in active service after system discharge.



Product code	029210064
Connection	M 42 x 1,5
Material	Brass



Screws into the base of B04425XXX electromagnetic release device

BLEED VALVE

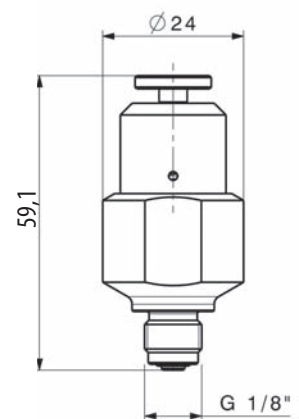
To vent overpressure and prevent false system discharge in the event of a small pressure leak from the cylinders into the pneumatic actuators.



Mounts on all pneumatic release devices



Product code	029730040
Pneumatic connection	G 1/8"
Closing pressure	between 0,7 to 2,5 bar
Flow at p=0.6 bar	6 liters/min



DIMES – DIGITAL MEASUREMENT SYSTEM

Digital Measurement System for Clean Agent Fire Suppression Systems.

Available in 2016.

See p.11 for details

SENSOR UNITS

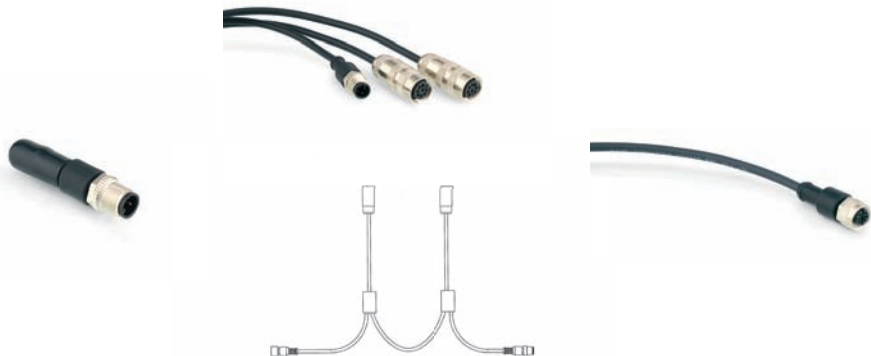


SINGLE-CYLINDER CONNECTOR



	SENSOR UNIT	SENSOR UNIT WITH DIGITAL DISPLAY	CONNECTOR CABLE TO CONTROL BOX
Product code	B04652100	B04662100	029900088
Working pressure	60 bar	60 bar	-
Sensor tube length	Specify when ordering	Specify when ordering	-
Connection type	8-pin	8-pin	8-pin

MULTIPLE-CYLINDER CONNECTORS



	END UNIT	CONNECTOR CABLE CONNECTS SENSOR UNITS	CONNECTOR CABLE TO CONTROL BOX
Product code	029900083	029900079	029900089
Connection type	4-pin	8-pin	4-pin

SINGLE CYLINDER DATA INTERFACE CABLE



	SINGLE CYLINDER DATA INTERFACE CABLE
Product code	024900419
Connection type	8-pin to USB

PRESSURE GAUGES WITH PRESSURE SWITCH

Measures and displays the cylinder pressure to verify that cylinders are properly filled and charged.

For HFC-227ea and NOVEC.

Rear mounting for use with Series B048 Valves.

- Integrated pressure switch.
- Choice of NC or NO.
- Choice of 0 to 40 bar or 0 to 60 bar.



Product code	029720171	029720175	029720173	029720174
Position	NC	NO	NC	NC
Preset pressure	22,5 bar	22,5 bar	38 bar	42 bar
Scale	0-40 bar	0-40 bar	0-60 bar	0-60 bar
Connection	Rear - 2 wires	Rear - 2 wires	Rear - 2 wires	Rear - 2 wires
Certification	CE - VdS	CE - VdS	CE - VdS	CE - VdS
Diameter	Ø 55	Ø 55	Ø 55	Ø 55
Valve connection	M 10 x 1	M 10 x 1	M 10 x 1	M 10 x 1

PRESSURE GAUGES

Measures and displays the cylinder pressure to verify that cylinders are properly filled and charged.

For HFC-227ea and NOVEC .

Rear mounting for use with Series B048 Valves.

- Integrated pressure switch.
- Choice of 0 to 60 bar or 0 to 100 bar.



Product code	029720232	029720120
Scale	0-60 bar	0-100 bar
Connection	Rear	Rear
Connection	No connection	No connection
Certification	CE - VdS	CE - VdS
Valve connection	M 10 x 1	M 10 x 1

PILOT HOSES

Hose to connect multiple cylinders in a series.

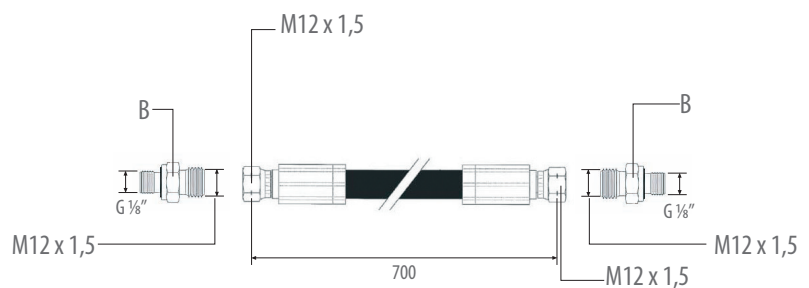
Connects a master valve or a pneumatic actuator with an other pneumatic actuator



STRAIGHT PILOT HOSE DN6



- Both ends have a straight fitting
- 400 bar working pressure
- With O-rings



	Product code	Length l	Connection	Bending radius
A2	B06920212	700 mm	2 x M12 x 1,5	75 mm
Adapter B	029510006		M12 x 1,5 / G 1/8	



Each hose requires 2 adapters. Must be ordered separately.

SPECIFICATIONS

Working pressure	400 bar	Temperature Range	-40°C to 100°C	Interior diameter	1/8"
Burst pressure	1600 bar	Material	Synthetic rubber oil resistant	Norm	EN 857 2 SC
Torque	20-25 Nm				

DISCHARGE HOSES

Hose to connect the cylinder valve to the manifold in fixed fire suppression systems.

FOR VALVE SERIES B0481



FOR VALVE SERIES B0482



FOR VALVE SERIES B0480 & B0439



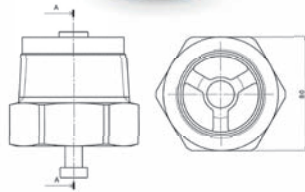
Product code	B06920222	B06920221	B06920226
Working pressure	53 bar	53 bar	Max. 380 bar
Burst pressure	159 bar	159 bar	1520 bar
Temperature range	-40°C to 100°C	-40°C to 100°C	-40°C to 100°C
Torque	38 - 42 Nm	38 - 42 Nm	38 - 42 Nm
Material	Synthetic rubber oil resistant	Synthetic rubber oil resistant	Synthetic rubber oil resistant
Norm	EN853 2 SN	EN853 2 SN	EN853 2 SN
Valve connection (inlet)	2 1/2" 12-UN	1 7/8" 12-UN	W21,8 x 1/4" DIN 477
Manifold connection (outlet)	R 2"	R 1 1/2"	G 3/4"
Min. bending radius	640 mm	510 mm	130 mm
Length	550 mm	500 mm	450 mm

CHECK VALVE

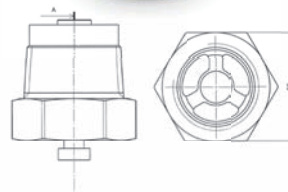
Prevents backflow into the cylinder

Required for each hose attachment to the discharge manifold

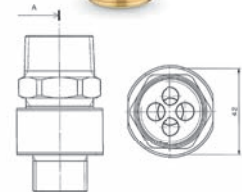
FOR VALVE SERIES B0481



FOR VALVE SERIES B0482



FOR VALVE SERIES B0480 & B0439



Product code	B04600009	B04600010	B04600008
Inlet connection	Rc 2"	Rc 1 1/2"	G 3/4"
Outlet connection	R 2 1/2"	R 2"	R 1"
Working pressure	53 bar	53 bar	< 360 bar
Material	Brass	Brass	Brass
Hex	80 mm	65 mm	42 mm

PRESSURE & FLOW DETECTOR SWITCH

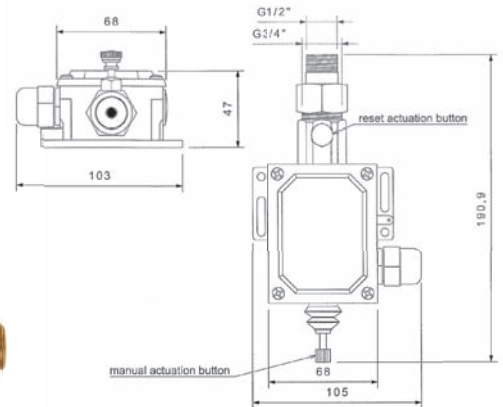
Used to send a signal that the system is discharging.

Pressure Activated



KEY FEATURES

- Sends a signal to a control panel or alarm box at the earliest phase of discharge
- Actuated at 2 bar pressure
- Flexible Voltage/Amp power source



Product code	028250050
Opening Pressure	2 bar
Connection	G 1/2"
Power source	400 VAC / 3A or 24 VDC / 10 A
Protection	IP65

NOZZLES FOR HFC-227 EA

Pre-bored and preassembled discharge nozzles for HFC 227 ea fire suppression systems

KEY FEATURES

- Available in 360° or 180° versions
- Solid Brass
- Max working pressure: 100 bar

360°

180°



	Product codes	
1/2"	B04612000	B04612001
3/4"	B04612100	B04612101
1"	B04612200	B04612201
1 1/4 "	B04612300	B04612301
1 1/2 "	B04612400	B04612401
2"	B04612500	B04612501

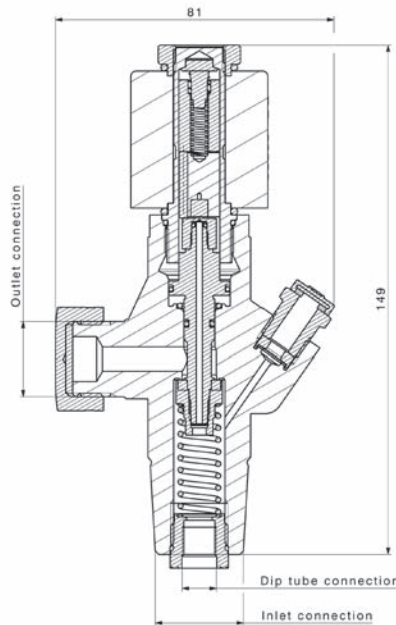
SERIES B0439 VALVES FOR CLEAN AGENTS

Solenoid-actuated cylinder valves for 60 bar Clean Agent fire suppression systems.

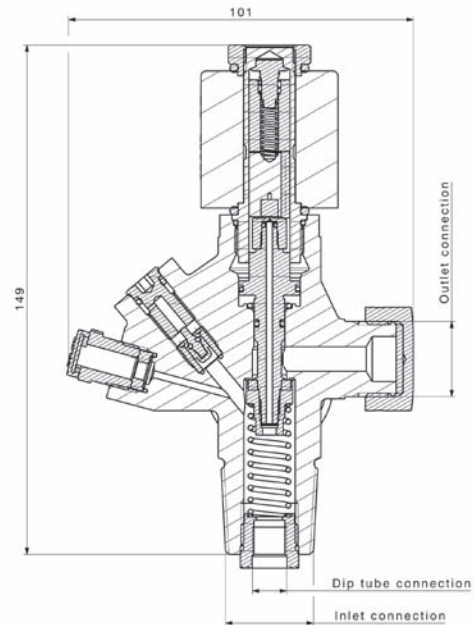


KEY FEATURES

- Available in total discharge versions
- Your choice of pressure gauge, burst disc, or both
- Special connections available on request



B0439 valve
chemical catalogue, page 22, left side



B0439 valve
chemical catalogue, page 22, right side

	With burst disc	With pressure gauge connection and burst disc
Product code	On request*	On request*
Discharge type	Total	Total
Working pressure	42 bar	60 bar
Orifice size	Ø 7 mm	Ø 7 mm
Inlet connection	25E EN-629-1	25E EN-629-1
Outlet Connection	W21,8x1/14" DIN 477	W21,8x1/14" DIN 477
Gauge connection	-	M10 x 1
Dip tube connection	M10 x 0,75	M10 x 0,75
Burst disc pressure	78 bar	78 bar
Valve Body	Brass	Brass

* Code depends on burst disc pressure

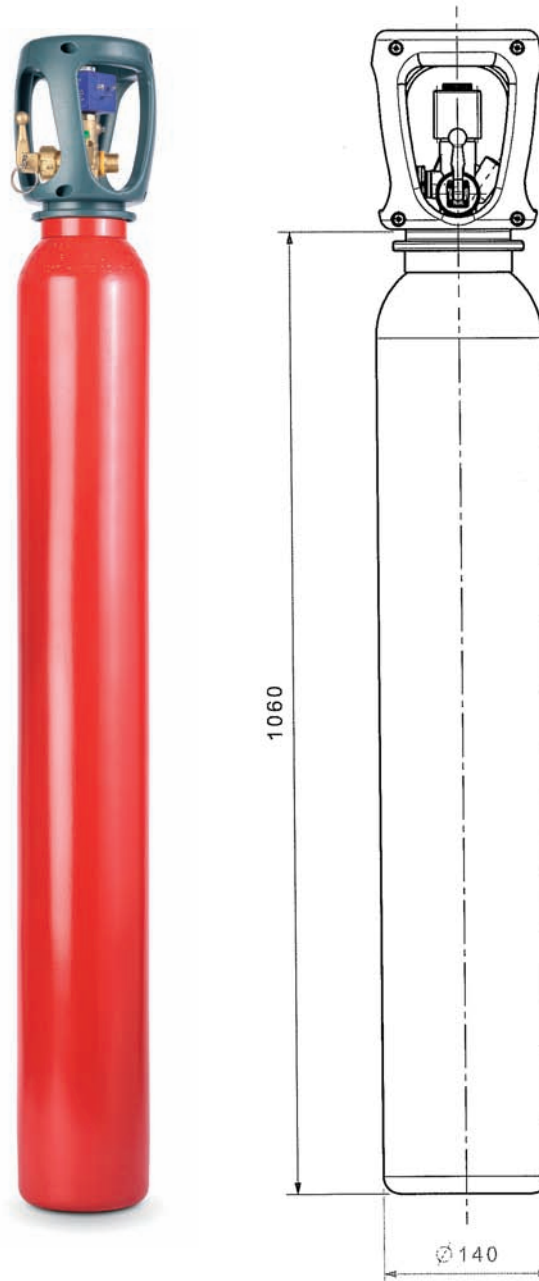
SERIES B0439 CYLINDER / VALVE ASSEMBLY

Cylinders / valve assembly with integrated solenoid actuator.

Used for small clean agent installations.

KEY FEATURES

- Available in 13,4 L cylinder version
- Other cylinder sizes available on request
- Cylinder is delivered empty



Product code unfilled	B04394100
Cylinder size	13,4 L
Max. pressure	200 bar
Working pressure	60 bar
Operating temperature	-20°C to 60°C
Length w/o cap	1060
Diameter	Ø140

A FULL LINE OF GAS CONTROL SOLUTIONS



COMPLETE SOLUTIONS FROM SOURCE TO PROCESS.

ROTAREX is helping engineers worldwide to get better gas results: from ultra high purity production and medical care facilities to industrial and LPG applications, as well as alternative energy vehicles, fire suppression, diving, aerospace, cryogenics, laboratory, petro-chemical and welding. ROTAREX applies over 90 years of know-how and experience to custom design, develop and manufacture the high performance valves, regulators and fittings to suit your needs, all in one hand. Discover the difference ROTAREX can make in your world.

CYLINDER VALVES

EQUIPMENT

FIRETEC

AUTOMOTIVE

LPG/SRG

MEDITEC



ULTRA HIGH PURITY VALVES



MEDICAL VALVES & EQUIPMENT



INDUSTRIAL CYLINDER VALVES



REFRIGERANT CYLINDER VALVES



PRESSURE REGULATORS



SUPPLY & SWITCH OVER BOARDS



LINE VALVES



FITTINGS & ADAPTORS



**FIXED INSTALLATION
FIRE SYSTEMS**



**OBJECT FIRE SUPPRESSION
SYSTEMS**



**AUTOMOTIVE VALVES
& REGULATORS**



WATER CARBONATION



**LPG TANK VALVES
& REGULATORS**



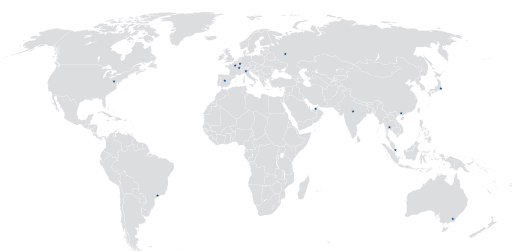
**LPG CYLINDER VALVES
& REGULATORS**



**DIGITAL MEASUREMENT
SYSTEMS**



PLASTIC INJECTION MouldING



WORLDWIDE HEADQUARTERS

ROTAREX S.A.

24, rue de Diekirch, BP 19
L-7505 Lintgen
Luxembourg
Tel.: +352 32 78 32-1
Fax: +352 32 78 32-854
E-mail: info@firetec.rotarex.com



REGIONAL / COUNTRY HEAD QUARTERS

NORTH AMERICA

USA

Rotarex North America
221 Westec Drive
Westmoreland Technology Park I
Mt. Pleasant, Pennsylvania 15666 USA
Tel.: +1 724-696-43 40
Fax: +1 724-696-43 64
E-mail: info@northamerica.rotarex.com

SOUTH AMERICA

BRASIL

Rotarex Brazil Ltda
Cond. Ind. Portal da Anhanguera Estr. Municipal
Gov. Mário Covas, S/N
13279-411 Bairro Macuco -Valinhos
São Paulo Brazil
Tel.: +55 19 3518 0800
Fax: +55 19 3869-1503
E-mail: info@brazil.rotarex.com

EUROPE

FRANCE, BENELUX, GERMANY

24, rue de Diekirch, BP 19
L-7505 Lintgen, Luxembourg
Tel.: +352 32 78 32-1
Fax: +352 32 78 32 317
E-mail: salesequipment@rotarex.com

ITALY

Rotarex Italia S.r.l.
46 Via Giacomo Matteotti
I-25080, Cliverghe di Mazzano (BS) Italy
Tel.: +39 030 212 05 50
Fax: +39 030 212 23 62
E-mail: info@italia.rotarex.com

SPAIN

Rotarex Spain
C/Alcala, 4ª Oficina 404
28014 Madrid
Tel.: +34 (91) 570 89 05
Mobile: +34 (650) 908 856
E-mail: info@spain.rotarex.com

RUSSIA

Rotarex Rus
Tverskaya street, 20/1 bldg. 1 of 506
125009, Moscow Russia
Tel.: +7 985 125 7776
Skype: rotarexruss
E-mail: info-russia@rotarex.com

POLAND

Rotarex Polska
13 Gröbli
PL 49-300 Brzeg, Poland
Tel.: +48 77 416 40 16
Fax: +48 77 416 20 99
E-mail: info@poland.rotarex.com

ASIA

MIDDLE EAST

Rotarex Middle East
Jebel Ali Free Zone - Lob 17, Office 415
P.O. Box 261749
Dubai, U.A.E.
Tel.: +971 (0) 4 887 6701
Fax: +971 (0) 4 887 6702
E-mail: info@middle-east.rotarex.com

CHINA

Rotarex Star
60 Yuan Zhong Road
Shanghai Nanhui Industrial Zone
201300, Shanghai China
Tel.: +86-21 5800 4000
Fax: +86-21 5800 3226
E-mail: info@china.rotarex.com

SINGAPORE

Rotarex Fareast Pte Ltd
10 Ubi Crescent
Ubi Techpark, Lobby C, #06-55
408564 Singapore
Tel.: +65 64 72 37 27
Fax: +65 64 72 45 28
E-mail: info@singapore.rotarex.com

JAPAN

Rotarex Japan Ltd
6F, Yawaragi Bldg., 1-27-11 Taito
Taito-ku, Tokyo
110-0016 JAPAN
Tel.: +81 3 5817 8108
Mob.: +81 80 3755 2539
Fax: +81 3 5817 8168
E-mail: info@japan.rotarex.com

INDIA

Rotarex ENGG. PVT. LTD.
C-105, Mahindra Apartments
Vikaspuri, New Delhi 110018
mob.: +91-9873467666
E-mail: atul.nigam@rotarex.in

THAILAND

Rotarex (Thailand) Co Ltd.
297, Wanglee Tower
3rd floor, Unit C, Surawong Road
Suriyawong, Bangrak,
Bangkok 10500 Thailand
Tel.: +66 2635 71 79
E-mail: info@thailand.rotarex.com

SOUTH KOREA

Rotarex Luz Tech Co.
305-500, 547 Yongsan-dong
Yuseong-gu
Taejon, Korea
Tel.: +82 42 825 8911
Fax: +82 42 825 8913
E-mail: info@rotarex.co.kr

OCEANIA

AUSTRALIA

Rotarex Australia/New Zealand
Hornsby Heights,
Sydney, NSW, 2077
Tel.: +61 477 477 481
E-mail: info@australia.rotarex.com